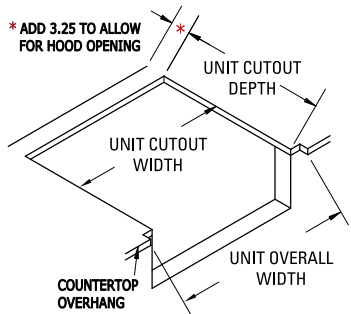
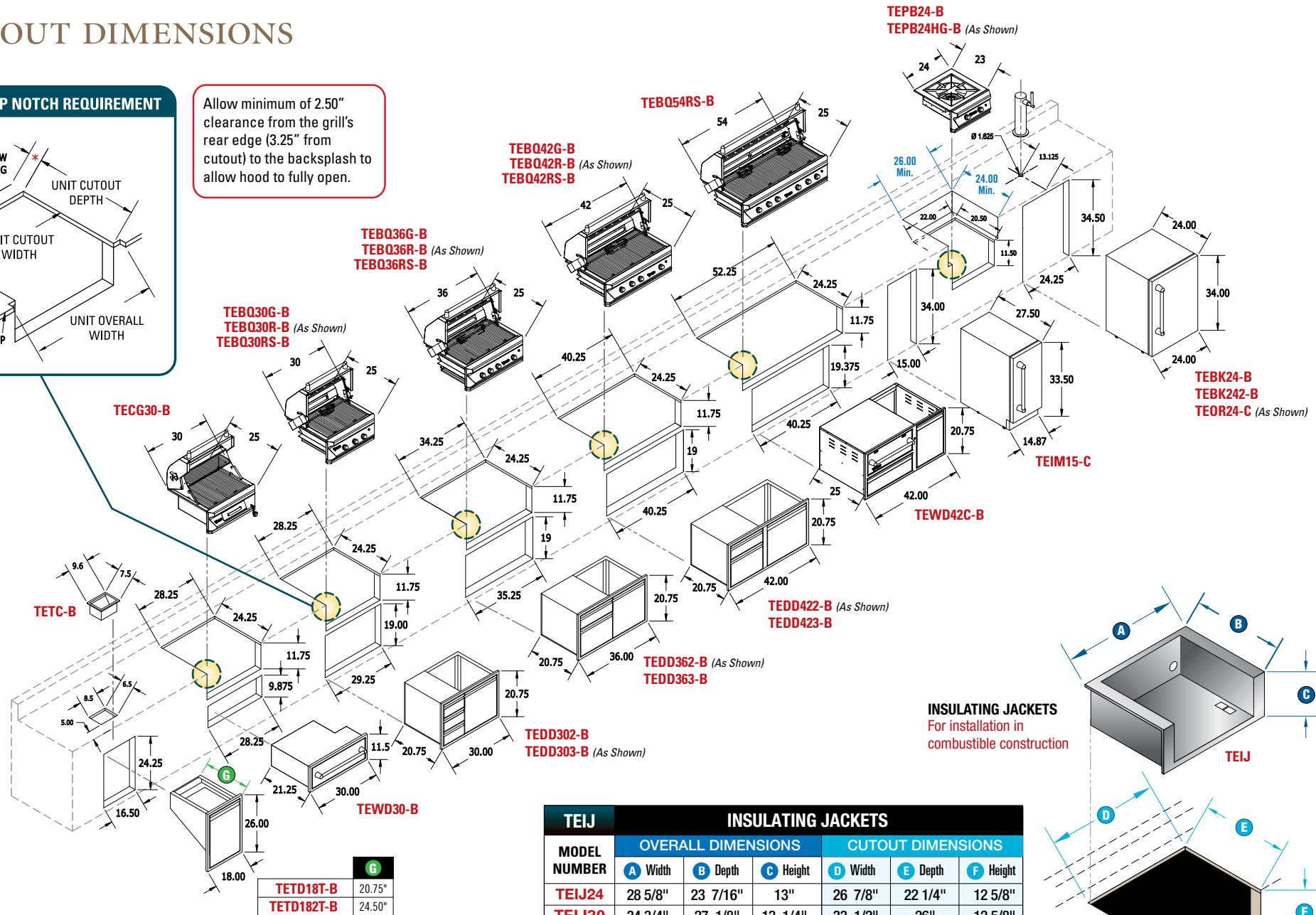


# CUTOUT DIMENSIONS

## COUNTERTOP NOTCH REQUIREMENT

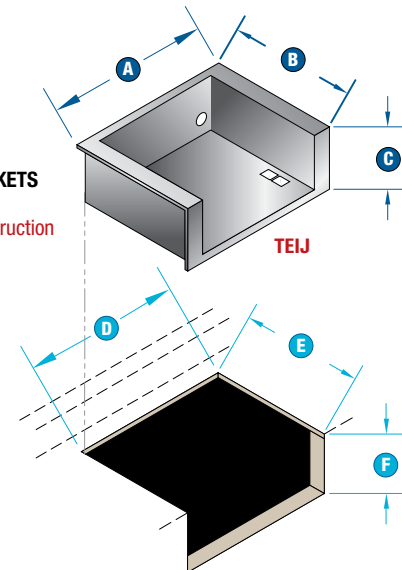


Allow minimum of 2.50" clearance from the grill's rear edge (3.25" from cutout) to the backsplash to allow hood to fully open.

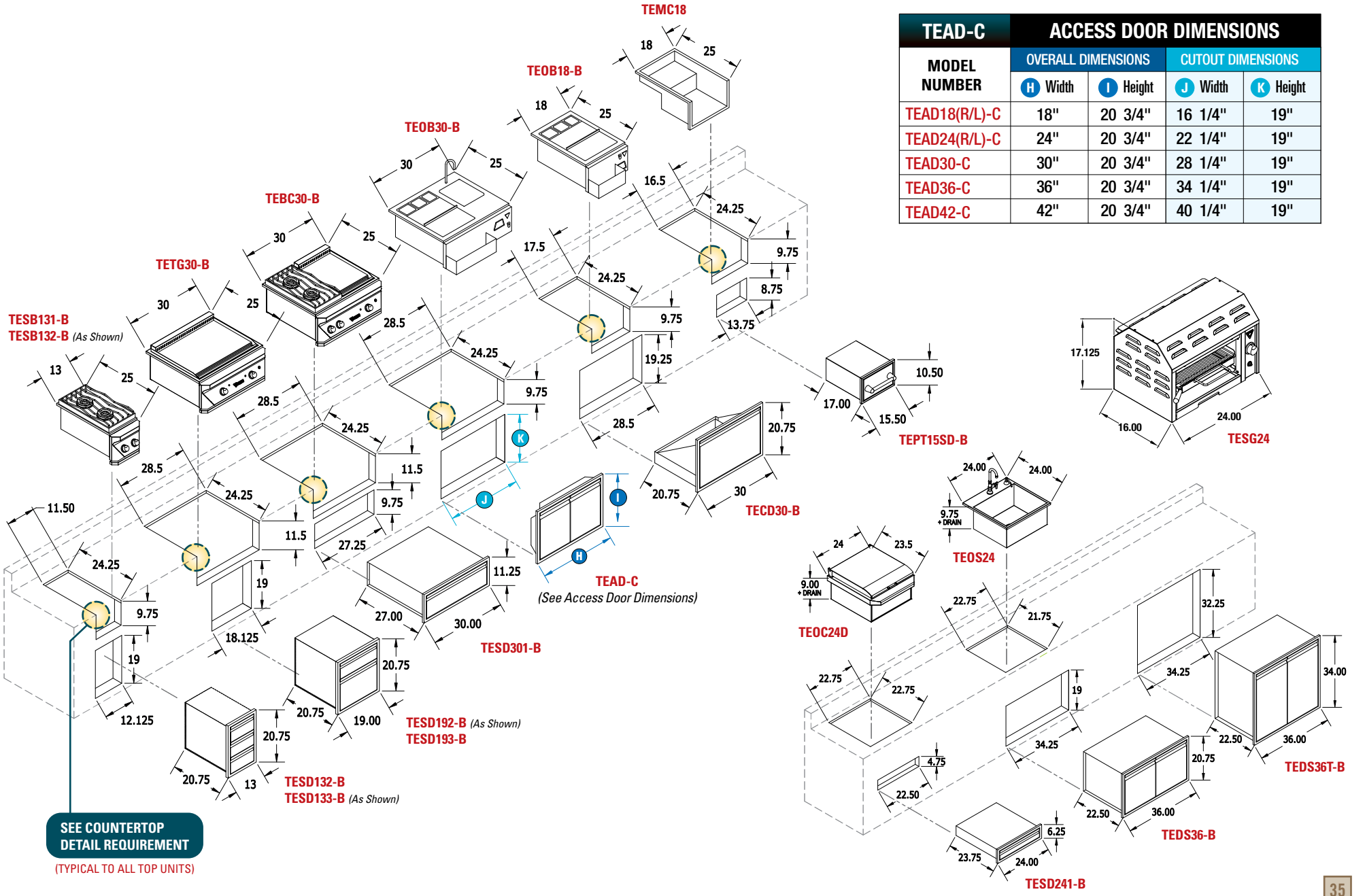


<b>TEWD30-B</b>	20.75"
<b>TEWD18T-B</b>	20.75"
<b>TEWD182T-B</b>	24.50"

**INSULATING JACKETS**  
For installation in combustible construction



TEIJ MODEL NUMBER	OVERALL DIMENSIONS			CUTOUT DIMENSIONS		
	A Width	B Depth	C Height	D Width	E Depth	F Height
<b>TEIJ24</b>	28 5/8"	23 7/16"	13"	26 7/8"	22 1/4"	12 5/8"
<b>TEIJ30</b>	34 3/4"	27 1/8"	13 1/4"	33 1/2"	26"	12 5/8"
<b>TEIJ36</b>	40 3/4"	27 1/8"	13 1/4"	39 1/2"	26"	12 5/8"
<b>TEIJ42</b>	46 3/4"	27 1/8"	13 1/4"	45 1/2"	26"	12 5/8"
<b>TEIJ54</b>	58 3/4"	27 1/8"	13 1/4"	57 1/2"	26"	12 5/8"



MODEL NUMBER	ACCESS DOOR DIMENSIONS			
	OVERALL DIMENSIONS		CUTOUT DIMENSIONS	
	H Width	I Height	J Width	K Height
<b>TEAD18(R/L)-C</b>	18"	20 3/4"	16 1/4"	19"
<b>TEAD24(R/L)-C</b>	24"	20 3/4"	22 1/4"	19"
<b>TEAD30-C</b>	30"	20 3/4"	28 1/4"	19"
<b>TEAD36-C</b>	36"	20 3/4"	34 1/4"	19"
<b>TEAD42-C</b>	42"	20 3/4"	40 1/4"	19"

**SEE COUNTERTOP  
DETAIL REQUIREMENT**

(TYPICAL TO ALL TOP UNITS)